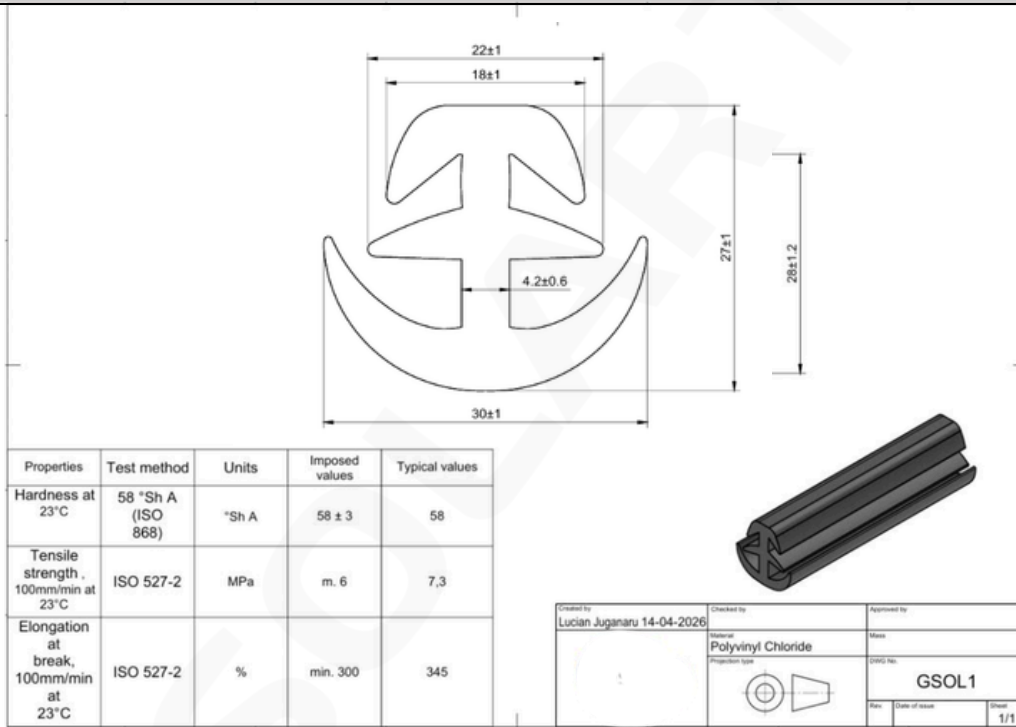


## GSOL1 DATA SHEET

Static profiles made of flexible Polyvinyl Chloride, GSOL1, with lateral blades for fixing, are intended for closing/covering the technological spaces between photovoltaic modules. Their role is to reduce/limit water infiltration and to ensure a unitary aesthetic appearance of carport or solar awning-type structures, ensuring surface continuity and partial drainage controlled precipitation.

### TECHNICAL DETAILS



Tolerances: Profiling: ISO 3302-1/2014, class E3; Cutting: ISO 3302-1/2014, class L2.

Information written on the packaging: Name, production code.

The material complies with the European REACH Regulation 1907/2006/EC, the RoHS Directive (2002/95/EC) and all their subsequent updates.

The material is subjected to the extrusion process from the raw material in the form of granules.

### AUXILIARY MATERIALS

Does not exist